

Food Processor
TrinityPro Cutter Mixer 2,6 Lt -
Single Speed - UK plug

ITEM # _____

MODEL # _____

NAME # _____

SIS # _____

AIA # _____



600989 (K26G)

* NOT TRANSLATED *

Main Features

- Tabletop cutter mixer and emulsifier allowing fast chopping, mixing, mincing, griding, liquidizing and kneading.
- Includes 2,6 liter stainless steel bowl with micro-toothed blades rotor.
- Bowl/lid scraper included for uniform smooth results (emulsifying) and continuous working.
- Transparent lid, with funnel shaped hole, to add ingredients during use.
- All ingredients are processed evenly and quickly thanks to a special movement generated inside the bowl.
- Easy to clean and waterproof control panel with flat on/off button and pulse function.
- Pulse function for coarse chopping.
- All parts in contact with food are removable without the use of tools, completely dismountable and dishwasher safe.
- ErgoCert 4-star certification for ergonomic design and ease of use.
- Productivity up to 50 settings per service.

Construction

- 1 speed: 1.500 rpm.
- Power: 500 Watts.
- Bowl in AISI 304 stainless steel.
- Micro-toothed blades in 420 AISI stainless steel and ergonomic scraper in resistant composite material to ensure consistent mixing.
- compact design, easy to move and store.
- IPX5 (IP55) waterproof, flat, touch-control panel.
- Main switch ON/OFF on the back of the appliance.
- Asynchronous industrial motor with no brushes for high reliability and quiet functioning, stainless steel motor shaft.
- Food safety assured in accordance to European directives and UK legislation. In addition, materials in contact with food, are BPA-free.
- Product safety conform to European directives, UK legislation and international health and safety standards.

APPROVAL: _____

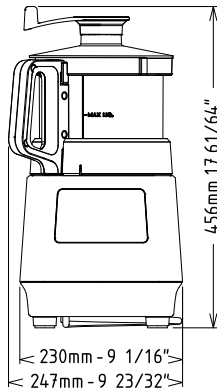
Included Accessories

- 1 of - NOT TRANSLATED - PNC 650117
- 1 of - NOT TRANSLATED - PNC 650226
- 1 of - NOT TRANSLATED - PNC 650228
- 1 of - NOT TRANSLATED - PNC 650230

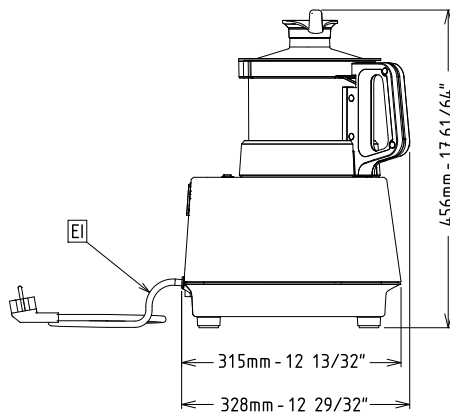
Optional Accessories

- - NOT TRANSLATED - PNC 650117
- - NOT TRANSLATED - PNC 650118
- - NOT TRANSLATED - PNC 650226
- - NOT TRANSLATED - PNC 650227
- - NOT TRANSLATED - PNC 650228
- - NOT TRANSLATED - PNC 650229
- - NOT TRANSLATED - PNC 650230
- - NOT TRANSLATED - PNC 650231
- - NOT TRANSLATED - PNC 650233
- - NOT TRANSLATED - PNC 650234
- - NOT TRANSLATED - PNC 650235
- - NOT TRANSLATED - PNC 650236
- - NOT TRANSLATED - PNC 650245

Front

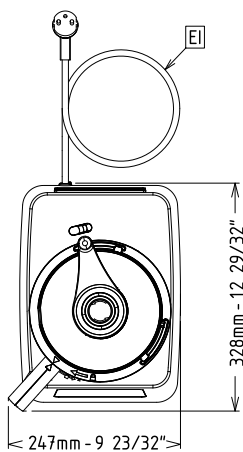


Side



EI = Electrical inlet (power)

Top


Electric

Supply voltage:	220-240 V/1N ph/50 Hz
Electrical power max.:	0.5 kW
Total Watts:	0.5 kW

Capacity:

Performance (up to):	0 kg/Cycle
Capacity:	2.6 litres

Key Information:

External dimensions, Width:	247 mm
External dimensions, Depth:	328 mm
External dimensions, Height:	456 mm
Shipping weight:	15.7 kg
Meat mincing capacity:	0 kg
Mayonnaise preparation capacity:	0 kg
Pastry preparation capacity:	0 kg